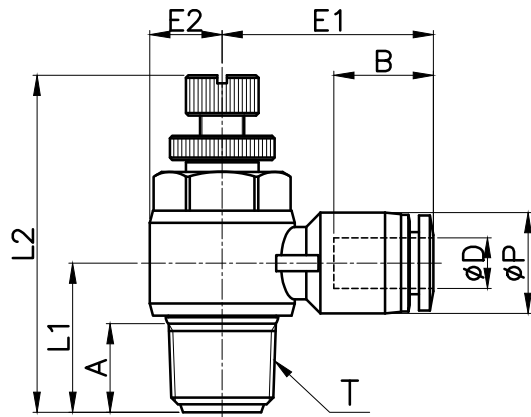
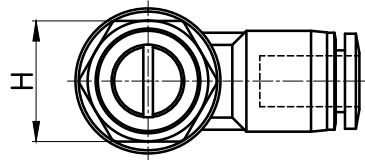


# NSC



MODEL	øD	øP	T	L1	L2		E1	E2	A	B	H (Hex)	WEIGHT (g)	BOX(EA)
					MIN	MAX							
NSC 03-M5	3	7.8	M5*0.8p	9.6	27.1	29.1	16.5	5.0	3.6	11.3	8	8.0	50
NSC 04-M3	4	10.3	M3*0.5p	10.3	27.1	29.1	20.2	5.0	3.0	14.8	8	8.2	50
NSC 04-M5			M5*0.8p	10.3	27.1	29.1	20.2	5.0	3.6		8	9.0	50
NSC 04-01		10.5	R 1/8	15.1	35.5	40.7	23.3	7.0	8.2	15.3	11	20.0	50
NSC 04-02			R 1/4	18.5	40.3	46.6	25.3	9.0	11.0		15	36.0	50
NSC 06-M5	6	12.5	M5*0.8p	11.4	27.1	29.1	22.7	5.0	3.6	16.4	8	10.0	50
NSC 06-01			R 1/8	15.1	35.5	40.7	24.2	7.0	8.2		11	21.0	50
NSC 06-02			R 1/4	18.4	40.3	46.6	26.2	9.0	11.0		15	37.0	50
NSC 06-03			R 3/8	21.9	46.9	54.9	27.7	11.0	12.2		19	70.0	25
NSC 06-04			R 1/2	26.5	54.0	60.1	30.8	14.0	16.5		24	108.0	20
NSC 08-01	8	14.5	R 1/8	16.2	35.5	40.7	26.0	7.0	8.2	18.3	11	22.0	50
NSC 08-02			R 1/4	19.3	40.3	46.6	28.0	9.0	11.0		15	38.0	50
NSC 08-03			R 3/8	21.9	46.9	54.9	29.0	11.0	12.2		19	71.0	25
NSC 08-04			R 1/2	26.5	54.0	60.1	31.9	14.0	16.5		24	109.0	20
NSC 10-01	10	17.5	R 1/8	17.7	35.5	40.7	27.9	7.0	8.2	19.7	11	26.0	25
NSC 10-02			R 1/4	20.7	40.3	46.6	29.9	9.0	11.0		15	42.0	25
NSC 10-03			R 3/8	23.2	46.9	54.9	31.0	11.2	12.2		19	73.0	25
NSC 10-04			R 1/2	26.5	54.0	60.1	33.4	14.0	16.5		24	110.0	20
NSC 12-02	12	20.5	R 1/4	22.2	40.3	46.6	33.3	9.0	11.0	22.4	15	45.0	25
NSC 12-03			R 3/8	24.0	46.9	54.9	33.7	11.5	12.2	21.9	19	75.0	25
NSC 12-04			R 1/2	28.0	54.0	60.1	36.1	14.0	16.5		24	113.0	20