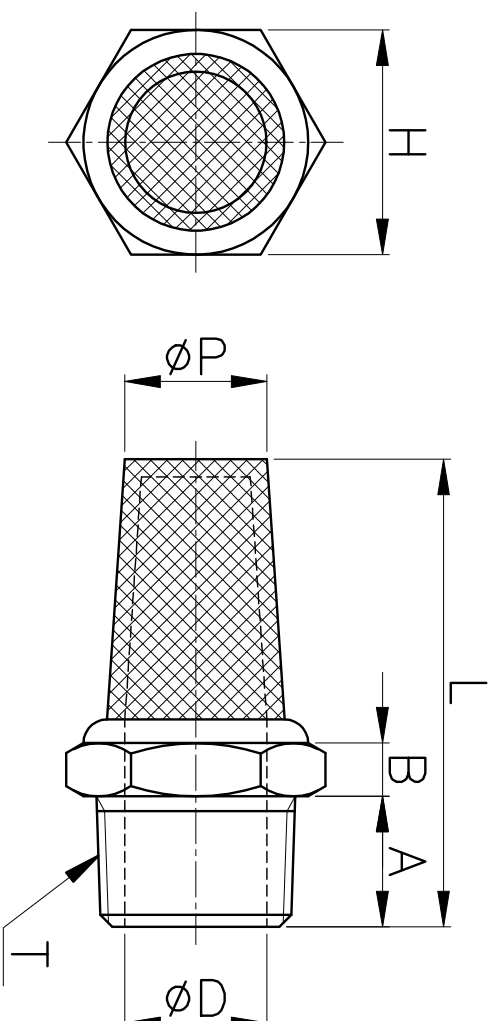


# STB



MODEL	ØP	T	L	ØD	A	B	H <sup>H</sup> (Hex)	WEIGHT (g)	BOX(EA)
STB M5	4.0	M5*0.8p	19.7	2.6	5.0	3.0	9	2.6	100
STB 01	8.0	R 1/8	24.8	6.0	7.0	3.5	12	6.9	100
STB 02	10.0	R 1/4	31.3	8.5	9.5	4.0	15	13.4	100
STB 03	12.0	R 3/8	39.7	12.0	10.5	4.5	19	23.4	50
STB 04	15.0	R 1/2	47.2	14.5	12.0	5.5	22	36.9	25
STB 06	19.0	R 3/4	55.8	20.0	12.0	6.0	27	54.2	20
STB 08	27.0	R 1	71.0	26.0	14.5	7.0	36	111.3	8